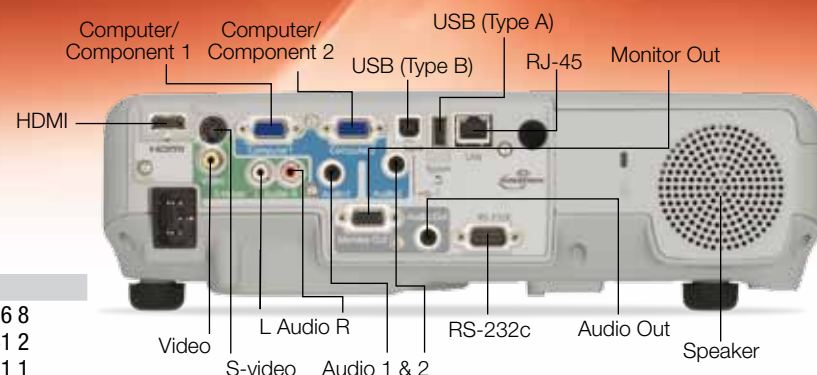


## PowerLite<sup>®</sup> 93 Multimedia Projector

Product Name	Product Code	UPC
PowerLite 93 projector	V11H382020	0 10343 88036 8
Genuine Epson lamp	V13H010L60	0 10343 88041 2
Replacement air filter	V13H134A29	0 10343 88051 1



### Specifications

**Projection System**  
Epson 3LCD, 3-chip technology

**Projection Method**  
Front/rear/ceiling mount

**Driving Method**  
Epson Poly-silicon TFT Active Matrix

**Pixel Number**  
786,432 dots (1024 x 768) x 3

**White Light Output<sup>1</sup>**  
2400 lumens (ISO 21118 standard)

**Color Light Output<sup>1</sup>**  
2400 lumens

**Aspect Ratio**  
4:3

**Native Resolution**  
1024 x 768 (XGA)

**Resize**  
640 x 480 (VGA), 800 x 600 (SVGA),  
1152 x 864 (SXGA), 1280 x 800 (WXGA),  
1280 x 960 (SXGA2), 1280 x 1024 (SXGA3),  
1280 x 768 (WXGA 60-1), 1360 x 768  
(WXGA 60-2), 1440 x 900 (WXGA+),  
1400 x 1050 (SXGA+), 1600 x 1200 (UXGA)

**Lamp Type**  
200 W UHE (E-TORL)

**Lamp Life<sup>2</sup>**  
Up to 6000 hours (ECO Mode)  
Up to 5000 hours (Normal Mode)

**Throw Ratio Range**  
1.48 – 1.77

**Size (projected distance)**  
30" to 300" (0.9 to 9.0 m)

**Keystone Correction Automatic**  
Vertical ± 30 degrees

**Keystone Correction Manual**  
Horizontal ± 30 degrees

**Mac Connectivity**  
Projector is Mac compatible via USB, DVI to  
HDMI or VGA adapter (not included)

**Contrast Ratio**  
Up to 2000:1

**Color Reproduction**  
16.77 million colors

### Projection Lens

**Type**  
Manual optical zoom/Manual focus

**F-number**  
1.58 – 1.72

**Focal Length**  
16.9 mm – 20.28 mm

**Zoom Ratio**  
Optical zoom 1.0 – 1.2

### Other

**Display Performance**  
NTSC: 480 lines  
PAL: 576 lines  
(Depends on observation of the multi-  
burst pattern)

**Input Signal**  
NTSC/NTSC4.43/PAL/M-PAL/N-PAL/  
PAL60/SECAM

**Interfaces**  
Computer/component video: D-sub 15 pin x 2  
S-video: Mini DIN x 1  
Composite video: RCA (Yellow) x 1  
USB connector: Type B x 1 (USB display, audio  
and mouse control)  
USB connector: Type A x 1 (USB memory/  
document camera)

HDMI x 1  
RJ-45 x 1  
Audio in: RCA x 1 (L and R)  
Mini stereo x 2

Monitor out: D-sub 15 pin x 1  
Audio out: Mini stereo x 1  
Serial: RS-232c x 1

**Speaker**  
16 W (mono)

**Operating Temperature**  
41° to 95° F (5° to 35° C)

**Power Supply Voltage**  
100 – 240 V ± 10%, 50/60 Hz

**Power Consumption**  
312 W  
0.3 W Standby (communication off)

**Fan Noise**  
33 dB (Normal Mode)  
28 dB (ECO Mode)

**Security**  
Kensington-style lock provision  
Padlock and security cable hole  
Password protect function

### Dimensions (W x D x H)

Including feet: 13.6" x 10.3" x 4.2"  
Excluding feet: 13.6" x 10.3" x 3.7"  
Weight: 6.9 lb

### Remote Control

**Features**  
Source search, video, LAN, USB, computer,  
power, aspect, color mode, volume, e-zoom,  
A/V mute, freeze, menu, page up and down,  
help, auto, mouse functions, user, esc

**Operating Angle**  
Right/left: ± 30 degrees  
Upper/lower: ± 30 degrees

**Operating Distance**  
19' (6 m)

### Support

**The Epson Connection<sup>SM</sup>**  
Pre-sales support  
U.S. and Canada 800-463-7766  
Internet website [www.epson.com](http://www.epson.com)

**Service Programs**  
Two-year projector limited warranty, Epson Road  
Service program, PrivateLine<sup>®</sup> dedicated toll-  
free support and 90-day limited lamp warranty

**What's In The Box**  
PowerLite 93 projector, power cord,  
computer cable (VGA), projector remote control,  
batteries, user manual CD, projector software  
CD, Quick Setup Sheet, PrivateLine support  
card and password protection sticker

### Accessory Part Numbers

Genuine Epson lamp	V13H010L60
Air filter	V13H134A29
Epson DC-06 document camera (ELPDC06)	V12H321005
Epson DC-10s document camera (ELPDC10S)	ELPDC10S
Epson DC-11s document camera (ELPDC11)	V12H377020
AP-60 projector sound solution	V12H329020
Universal projector ceiling mount	ELPMBPJF
Adjustable suspended ceiling channel kit	ELPMBP01
False ceiling plate kit	ELPMBP02
Structural round ceiling plate	ELPMBP03
Adjustable extension column (pipe) 8"-11"	ELPMBC01
Component to VGA cable	ELPKC19
Kensington security lock	ELPSL01
Soft carrying case (ELPKS64)	V12H001K64
50" portable screen	ELPSC06
Duet™ screen	ELPSC80
ES3000 portable screen (ELPSC26H)	V12H002S3Y
BrightLink Solo™ interactive module (IU-01)	V12H415020
BrightLink Solo interactive module with RM Easiteach (IU-01)	V12H415020RM

### Packaging Specifications

**PowerLite 93**  
Dimensions: 19.1" x 14.1" x 6.7" (W x D x H)  
Weight: 10.8 lb

**Genuine Epson Lamp**  
Dimensions: 6.3" x 5.6" x 5.6" (W x D x H)  
Weight: 0.7 lb  
Master Carton  
Dimensions: 28.4" x 13.1" x 6.8" (W x D x H)  
Weight: 9.5 lb  
Units Per Master Carton: 10

**Replacement Air Filter**  
Dimensions: 4.9" x 3.9" x 1.2" (W x D x H)  
Weight: 0.1 lb  
Master Carton  
Dimensions: 12.7" x 5.2" x 4.6" (W x D x H)  
Weight: 1.1 lb  
Units Per Master Carton: 10



## PowerLite<sup>®</sup> 93 MULTIMEDIA PROJECTOR



### Amazing image quality and network control.

The network-controllable PowerLite 93 upgrades the classroom experience with HDMI digital connectivity and powerful performance. Monitor and control the projector over your network using the RJ-45 connector, saving you time and money. XGA resolution and 2400 lumens of color and white light output<sup>1</sup> ensure bright, clear images, while the premium 16 W speaker delivers powerful audio, without added cost. A built-in closed captioning decoder accommodates students with hearing impairments. And, the E-TORL<sup>®</sup> lamp stretches your equipment dollar with an impressive lamp life up to 6000 hours<sup>2</sup>. Easy to manage and control over the network, the PowerLite 93 brings brighter, more engaging presentations to more classrooms.

**Bright, brilliant presentations** — 2400 lumens color light output, 2400 lumens white light output<sup>1</sup> and XGA (1024 x 768) resolution

**Powerful, 16 W speaker** — no external speakers required; saves on equipment costs

**Future-ready connectivity** — HDMI input for digital connectivity with the latest laptops and media players; delivers high-quality audio and video with just one cable

**Advanced network control** — RJ-45 connectivity for remote projector management

1 White and color light output will vary depending on mode selected. White light output measured using ISO 21118 standard.  
2 Lamp life will vary depending upon mode selected, environmental conditions and usage. Lamp brightness decreases over time.  
3 Data source: ProjectorCentral.com, Jan. 2010. Average of 910 shipping models for which the manufacturers provided lumens and total power data, all resolutions and brightness levels.  
4 See our website for convenient and reasonable recycling options at [www.epson.com/recycle](http://www.epson.com/recycle)  
5 SmartWay is an innovative partnership of the U.S. Environmental Protection Agency that reduces greenhouse gases and other air pollutants and improves fuel efficiency.

**Epson America, Inc.**  
3840 Kilroy Airport Way, Long Beach, CA 90806

**Epson Canada, Ltd.**  
3771 Victoria Park Avenue, Toronto, Ontario M1W 3Z5

[www.epson.com](http://www.epson.com)  
[www.epson.ca](http://www.epson.ca)

Specifications and terms are subject to change without notice. Epson, EasyMP, E-TORL and Instant Off are registered trademarks, Epson Exceed Your Vision is a registered logomark and Better Products for a Better Future is a trademark of Seiko Epson Corporation. PowerLite and PrivateLine are registered trademarks, BrightLink Solo and Duet are trademarks and Epson Connection is a service mark of Epson America, Inc. SmartWay is a service mark of the U.S. Environmental Protection Agency. All other product and brand names are trademarks and/or registered trademarks of their respective companies. Epson disclaims any and all rights in these marks. Copyright 2011 Epson America, Inc. CPD-33687 1/11





## The best-selling projectors in the world.

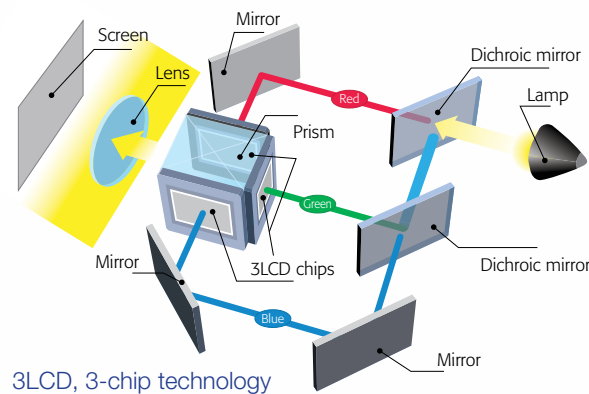
Epson understands education and has a solution no matter what your teaching scenario. Built with image quality and reliability in mind, Epson projectors enhance communication and inspire collaboration, while offering a low total cost of ownership. From long-throw projectors designed for traditional educational settings to ultra-short-throw and all-in-one solutions built for progressive classrooms, Epson has the model made for you.



### 3LCD technology — for quality and color that's beyond amazing

#### Innovative technology with proven reliability

- 3 chips for true-to-life color
- 25% less electricity required per lumen of brightness when compared to 1-chip DLP projectors<sup>3</sup>
- Road-tested reliability from a company with over 20 years of experience



3LCD, 3-chip technology

### Amazing light output

- 2400 lumens color light output and 2400 lumens white light output<sup>1</sup>
- High color light output for bright, balanced, colorful images
- White light output that's measured using ISO 21118 (a more rigid standard than the outdated ANSI lumens rating used by some competitive products)



High color light output

Low color light output

Actual photographs of images taken from two competing projectors run in default mode. Price, resolution and brightness (white light output) are the same for both projectors.

### High-quality images with HDMI digital connectivity

- Deliver both audio and brilliant video content with just one cable
- Compatible with the latest laptops, Blu-ray<sup>®</sup> and media players



### RJ-45 network connectivity

- Easily monitor/control networked Epson projectors remotely, using the RJ-45 connector and EasyMP<sup>®</sup> Monitor software
  - Save time and maintenance costs — power classroom projectors on and off without having to go to each individual classroom; set schedules for automatic events
  - Receive e-mail alerts when attention is required

### Advanced 3-in-1 USB Plug 'n Play instant setup

- Three features, all with one standard USB connection — display your presentation, transmit audio and control your presentation
- Compatible with Windows<sup>®</sup> and Mac<sup>®</sup>
- No more computer function keys or bulky VGA cables



### Built-in closed captioning

- Essential for education — helps meet ADA508 requirements for students with hearing impairments
- Helps save money — no need to pay for an additional decoder and its installation
- Effective and easy to use — easily enabled or disabled through the projector remote or menu

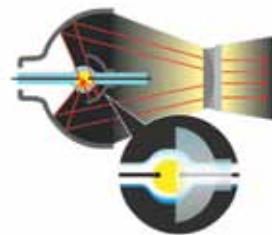


### Fast, easy setup and control

- 1.2x optical zoom and automatic vertical keystone correction (+/- 30 degrees) — offers easy picture adjustments and great positioning flexibility
- Manual horizontal keystone correction (+/- 30 degrees) — for the ultimate placement flexibility
- Direct Power On/Off — power the projector on and off with the flip of a light switch
- Instant Off<sup>®</sup> — no cool-down time required, so it's ready to shut down when you are
- A/V Mute — control your presentation using the remote or by closing the slide; it's right at your fingertips
- Sleep Mode — set from 1 to 30 minutes to save energy and lamp life when the A/V Mute Slide is closed or no signal is detected
- Easy to use — large and intuitive control panel

### Energy-efficient E-TORL lamp, exclusively from Epson

- Long lamp life lasts up to 6000 hours<sup>2</sup>
- Minimizes both light diffraction and light leakage
- E-TORL lamps maximize your presentation time, while minimizing your costs



E-TORL lamp

### Better Products for a Better Future™

For more information on Epson's environmental programs, go to [eco.epson.com](http://eco.epson.com)

#### Eco Features

- Energy-efficient 3LCD light engine
- Low power consumption of 0.3 W in Standby Mode (communication off)
- Energy-efficient E-TORL lamp
- Designed to be recycled<sup>4</sup>
- Epson America, Inc. is a SmartWay<sup>SM</sup> Transport Partner.<sup>5</sup>

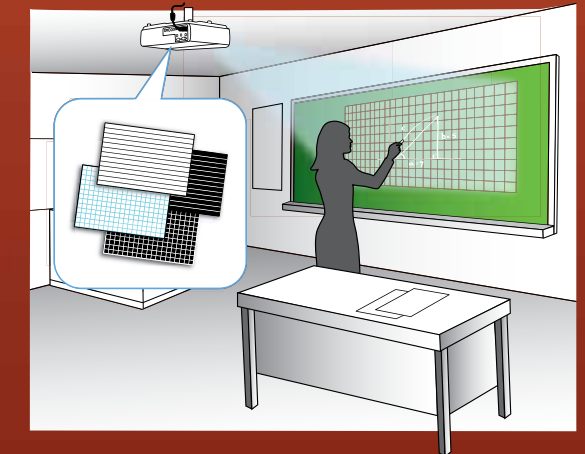


### Additional Features

- **Versatile connectivity for the classroom** — HDMI, USB, audio out, monitor out, computer/VGA inputs, LAN and RS-232c
- **Expanded USB functionality** — partner your projector directly with the Epson DC-06 document camera, or, deliver PC-free slideshows using a USB flashdrive (supports multiple file formats — JPEG, PNG, GIF and BMP)
- **Easy maintenance** — easy lamp and air filter access for quick, convenient replacements
- **Added security in any environment** — convenient metal anchor bar and Kensington<sup>®</sup> lock support
- **New high-density filter** — twice the surface area of our previous generation adds a higher level of protection

### Built-in teaching aids save time

- Choose from four pre-set templates or create a custom template to project lines or grids onto whiteboards or chalkboards
- Eliminates the need to draw lines on the board, use grids for graphs and more
- Simply display the pattern by using the customizable User button on the projector remote control



### Filters to protect your investment

Because we know how important it is to protect your valuable investment, Epson has designed this 3LCD projector with a higher density filter to give you added peace of mind. A filter helps limit the amount of dust that can settle on the internal components and reduce the lamp life or dull the image. When the time comes to clean or change the filter, just open the filter door, vacuum the dust off or replace the filter, close the door, and you're done!