

## EXPANDED DISPLAY AREA



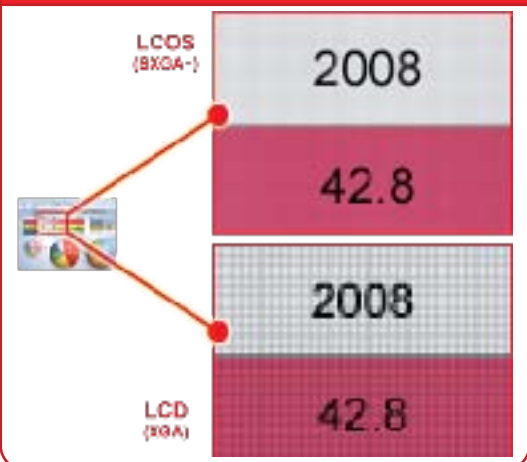
The SX800 SXGA+ (1400 x 1050) projector is compatible with wide screen notebook computers displaying images at (1280 x 800) as well as 4:3 and 16:9 High Definition contents.

## PRODUCT INFORMATION

PRODUCT NAME	REALiS SX800
ITEM CODE	3289B002
UPC CODE	013803102451



## COMPARING LCOS TO TRANSMISSIVE LCD



With LCOS technology and SXGA+ resolution, type as small as 7 pt appears crisp and clear to read. Transmissive LCD XGA projectors display grid like boxes which is known as screen-door effect, making their projected images hard to read.

## GENUINE CANON TECHNOLOGY:

- Canon's proprietary AISYS optical system effectively controls the light from the projector lamp, displaying superior brightness and color reproduction, resulting in brighter, better quality images.
- Newly-developed 0.55 inch LCOS reflective LCD panels achieve both high image quality and high reliability.



## GENUINE CANON OPTICS:

- Newly Designed 1.5x Powered Zoom Lens provides high resolution and accurate reproduction of highly detailed images.
- 10:0 Lens Shift minimizes the need for keystone correction.
- Project a 100 inch diagonal screen size from as close as 9.8 feet away.

## RESOLUTION:

- SXGA+ (1400 x 1050) resolution is approximately 1.9x higher than conventional XGA projectors, making text as small as 7 pt. clear and easy to read.
- SXGA+ resolution is compatible with wide screen computer displays and high definition contents.

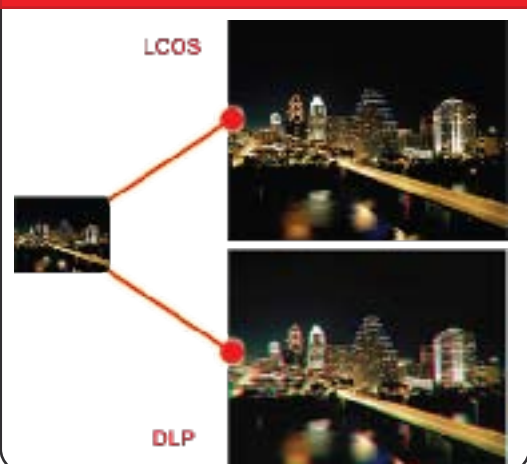
## BRIGHTNESS AND CONTRAST:

- AISYS optical system's precise control of light produces rich detailed gradation even in darker areas of the image.
- High-contrast and color reproduction makes it possible to project both photos and video with vivid color and a true sense of depth and dimension.

## REALiS FEATURES:

- The incorporated 230W AC Lamp is brighter and last longer than conventional DC Lamps.
- 2 VGA Input Terminals for projecting high quality images.
- 2-3 Pull Down minimizes motion artifacts during playback of DVDs transferred from film.
- Quiet Operation: as low as 31 dB.
- Auto Setup automatics adjusts input signal and keystone correction.
- On screen menu help provides easy, step-by-step operation.
- Off and Go feature: An internal condenser which runs the fan making it possible to unplug the projector right after usage without causing damage to the projector.
- 3 year parts and labor and 120 day lamp warranty.

## COMPARING LCOS TO SINGLE-CHIP DLP



With LCOS projectors color and motion appears crisp and sharp. RGB artifacts occur with single-chip DLP projectors causing color break-up with objects in motion.

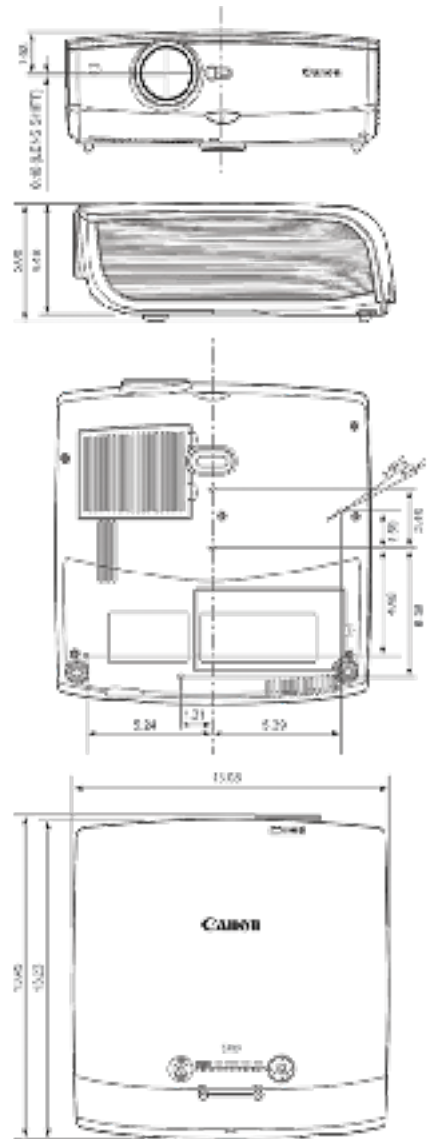
# REALIS SX800

MULTIMEDIA PROJECTOR

## PRODUCT SPECIFICATION

BASIC	Imaging Device		0.55" Reflective LCD Panels (LCOS) x 3	
	Aspect Ratio		4:3 Ratio	
	Native Resolution		SXGA+ (1400 X 1050)	
	Brightness		3000 Lumens	
	Uniformity		88%	
	Contrast		900:1	
Vertical Keystone		± 20 degrees (Auto/Manual)		
OPTICS	Projection Lens		F1.95 - 2.6, f=16.6 - 24.8 mm	
	Lens Offset		10:0, Fixed	
	Zoom		1.5x Powered, 12x Digital	
	Focus		Powered	
	Screen Size		40" - 300"	
	Projection Distance		3.9 - 29.9 ft. (1.2 - 9.1m)	
	Coverage		100": 9.8 -16.1 ft. (3.0 - 4.9m)	
Throw Ratio		1.48 - 2.18:1		
IMAGE ADJUSTMENTS	Image Mode		sRGB, Presentation, Standard, Movie	
	Image Flip		None / Ceiling Mounted / Rear / Rear Ceiling Mounted	
INPUT SIGNALS	Tilt Angle		Adjusting feet up to 10 degrees	
	Analog PC Input		UXGA / SXGA+ / WXGA / SXGA / XGA / SVGA / VGA	
	Scanning Frequency		H:15~75 kHz , V:50~85 Hz	
	Dot Clock		170 MHz or less	
	Video Input		NTSC / PAL / SECAM / NTSC4.43 / PAL-M / PAL-N	
	Component Input		1080p / 1080i / 1035i / 720p / 576p / 576i / 480p / 480i	
TERMINALS	Input	D-sub 15pin	Analog PC input	
		D-sub 15pin	Analog PC input / Component input	
		RCA	Video input	
		Stereo mini-jack	Audio input x3	
	Output	Stereo mini-jack		Audio output x1
		Control	D-sub 9pin	
Built-in Speaker		1W (Mono)		
LAMP	Type		230W NSH (AC)	
	Life (Normal / Quiet)		2000/2500 Hours	
REMOTE CONTROL	Sensor		Wireless Infrared, Front / Back	
RATINGS	Fan Noise (Normal / Quiet)		35/31dB	
	Power	Consumption	320W (normal) / 260W (quiet) / 8W (stand-by)	
		Voltage	AC 100 ~ 240V, 50/60Hz	
	Temperature	Operating	41 to 95 F (5 to 35 C)	
		Storage	104 to -22 F (60 to -30 C), 5%RH ~ 90% RH	
	Dimensions (W x D x H)		13.0" x 13.4" x 4.8" (332 x 340 x 121mm)	
	Weight		11.0 lbs (5.0 kg)	
Warranty		3 years parts and labor / 120 day lamp		

## SX800 DIMENSIONS (Inches)



## PRODUCT SPECIFICATION

ITEM CODE NO.	DESCRIPTION
2678B001	RS-LP05 Replacement Lamp
3098B001	RS-CL10 Ceiling Mount
3096B001	RS-CL08 Ceiling Extension: (16" - 24")*
3097B001	RS-CL09 Ceiling Extension: (24" - 39")*

\*Extension for RS-CL10 Ceiling Mount

Specifications are subject to change without notice. Weight and dimensions are approximate. Canon and IMAGEANYWARE are registered trademarks of Canon Inc. in the United States and may also be a registered trademark in other countries. Microsoft and Windows are either registered trademarks or trademarks of the Microsoft Corporation in the United States and/or other countries. Other names and products not mentioned above may be registered trademarks or trademarks of their respective companies. Error and omissions expected. Projected images simulated.

Warning: Unauthorized recording of copyrighted materials may infringe on the rights of copyright owners and be contrary to copyright laws ©2009 Canon U.S.A., INC.

**Canon**  
image*ANYWARE*

1-800-OK-CANON  
usa.canon.com/projectors

Canon U.S.A., Inc.  
One Canon Plaza  
Lake Success, NY 11042 U.S.A.

Canon Canada, Inc.  
6390 Dixie Road  
Mississauga, Ontario L5T 1P7  
Canada

[usa.canon.com/projectors](http://usa.canon.com/projectors)